

# LARGE CAN TYPE

# RP

Series

Screw Terminal, Wide Temperature Range

JAMICON®

RP → KP

- High temperature 105°C, high ripple current and high reliability.
- Long life for 2000 hours.



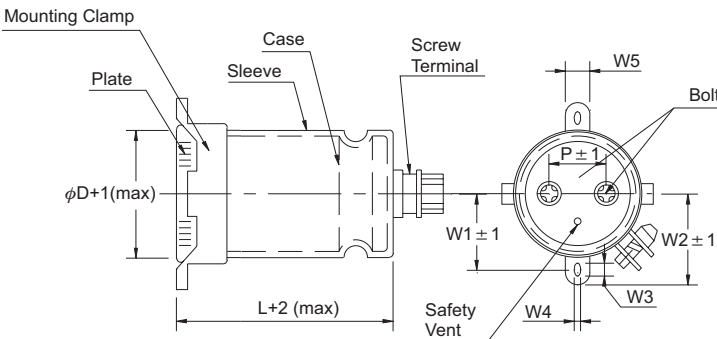
## SPECIFICATION

Item	Characteristic												
Operation Temperature Range	-40 ~ +105°C						-25 ~ +105°C						
Rated Working Voltage	10 ~ 100VDC						160 ~ 250VDC						
Capacitance Tolerance (120Hz 20°C)	±20%(M)												
Leakage Current (20°C)	$I \leq 0.02CV$ or $5 \text{ (mA)}$ *Whichever is smaller after 5 minutes $I$ : Leakage Current ( $\mu\text{A}$ ) $C$ : Rated Capacitance ( $\mu\text{F}$ ) $V$ : Working Voltage (V)												
Surge Voltage (20°C)	W.V.	10	16	25	35	50	63	100	160	200	250		
	S.V.	13	20	32	44	63	79	125	200	250	300		
Dissipation Factor (tan $\delta$ ) (120Hz 20°C)	W.V.	10	16	25	35	50	63	100	160	200	250		
	tan $\delta$	$\phi 35$	0.80	0.70	0.45	0.40	0.30	0.25	0.15	0.20	0.20	0.20	
		$\phi 51$	1.00	0.90	0.60	0.50	0.40	0.35	0.20	0.20	0.20	0.20	
Low Temperature Stability	Impedance ratio at 120Hz												
	Rated Voltage (V)	10~100						160~250					
	-25°C / +20°C	12						8					
	-40°C / +20°C												
Load Life	After 2000 hours application of W.V. at +105°C, the capacitor shall meet the following limits.												
	Capacitance Change	$\leq \pm 20\%$ of initial value											
	Dissipation Factor	$\leq 200\%$ of initial specified value											
	Leakage current	$\leq$ initial specified value											
Shelf Life	At +105°C no voltage application after 1000 hours, the capacitor shall meet the limits for load life characteristics. (with voltage treatment)												

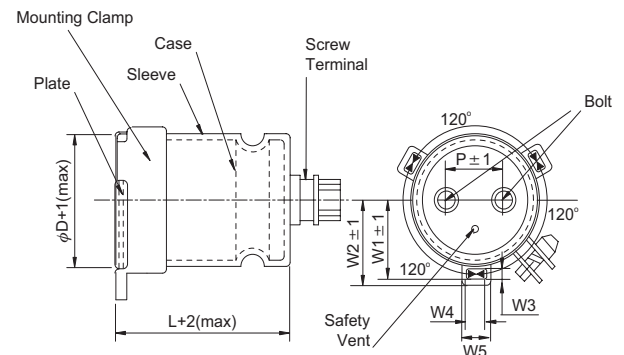
## TERMINAL TYPE

$\phi D$	W1	W2	W3	W4	W5	P
35	24.0	30.0	7.0	3.5	10.0	12.7
51	32.5	37.5	4.5	7.0	13.0	21.8

(▲ $\phi 35$ )



(▲ $\phi 51$ )



## RIPPLE CURRENT COEFFICIENTS

Temperature(°C)	45	65	85	105
Multiplier	2.40	2.10	1.60	1.00

Frequency(Hz)	60	120	1K	10K	100K
W.V.	Multiplier				
10 ~ 35V	0.90	1.00	1.05	1.10	1.10
50 ~ 100V	0.90	1.00	1.10	1.15	1.15
160 ~ 250V	0.80	1.00	1.20	1.30	1.35

● CASE SIZE & MAX RIPPLE CURRENT

Case size : D x L (mm)  
 Max ripple current : A(rms) 105°C 120Hz

μF	V(Code)		10 (1A)		16 (1C)		25 (1E)	
	Code	Item	DxL	R.C.	DxL	R.C.	DxL	R.C.
22000	223				35x50	2.13	35x60	2.66
33000	333		35x50	2.26	35x60	2.82	35x80	3.70
47000	473		35x60	2.91	35x80	3.82	35x90	4.65
56000	563		35x70	3.40	35x90	4.40	51x70	4.70
68000	683		35x80	3.98	51x70	4.38	51x90	5.77
100000	104		51x70	4.75	51x90	5.92		
150000	154		51x90	6.48				

μF	V(Code)		35 (1V)		50 (1H)	
	Code	Item	DxL	R.C.	DxL	R.C.
8200	822				35x60	2.22
10000	103				35x70	2.43
15000	153		35x60	2.32	35x80	3.05
22000	223		35x80	3.20	51x70	3.61
33000	333		51x70	3.95	51x90	4.42
47000	473		51x80	4.99		
56000	563		51x90	5.73		

μF	V(Code)		63 (1J)		100 (2A)	
	Code	Item	DxL	R.C.	DxL	R.C.
5600	562				35x90	2.78
6800	682		35x70	2.31	51x70	2.90
8200	822		35x80	2.52	51x80	3.37
10000	103		35x90	2.88	51x90	3.92
15000	153		51x70	3.29		
22000	223		51x90	4.40		

μF	V(Code)		160 (2C)		200 (2D)		250 (2E)	
	Code	Item	DxL	R.C.	DxL	R.C.	DxL	R.C.
1000	102		35x50	1.41	35x60	1.64	35x70	1.91
1500	152		35x60	1.87	35x70	2.15	35x90	2.48
2200	222		35x70	2.28	35x90	2.71	51x70	2.76
3300	332		35x90	2.95	51x80	3.13	51x90	3.51
4700	472		51x80	3.44	51x90	3.62		
5600	562		51x90	3.96				