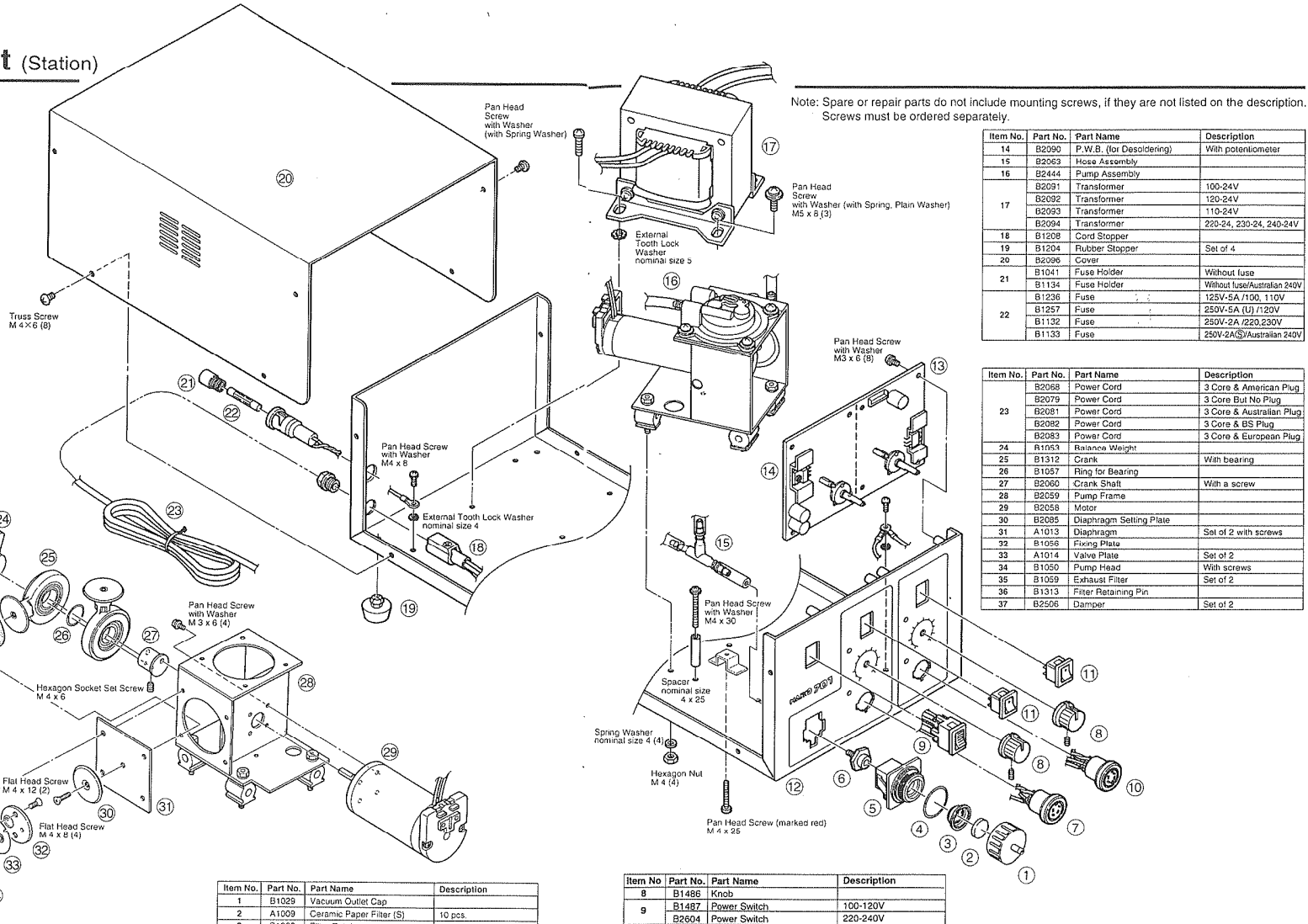


Parts List (Station)



Note: Spare or repair parts do not include mounting screws, if they are not listed on the description. Screws must be ordered separately.

Item No.	Part No.	Part Name	Description
14	B2090	P.W.B. (for Desoldering)	With potentiometer
15	B2093	Hose Assembly	
16	B2444	Pump Assembly	
17	B2091	Transformer	100-24V
	B2092	Transformer	120-24V
	B2093	Transformer	110-24V
	B2094	Transformer	220-24, 230-24, 240-24V
18	B1208	Cord Stopper	
19	B1204	Rubber Stopper	Set of 4
20	B2096	Cover	
21	B1041	Fuse Holder	Without fuse
	B1134	Fuse Holder	Without fuse/Australian 240V
22	B1236	Fuse	125V-5A/100, 110V
	B1257	Fuse	250V-5A (U) 1/20V
	B1132	Fuse	230V-2A /220,230V
	B1133	Fuse	230V-2A/Australian 240V

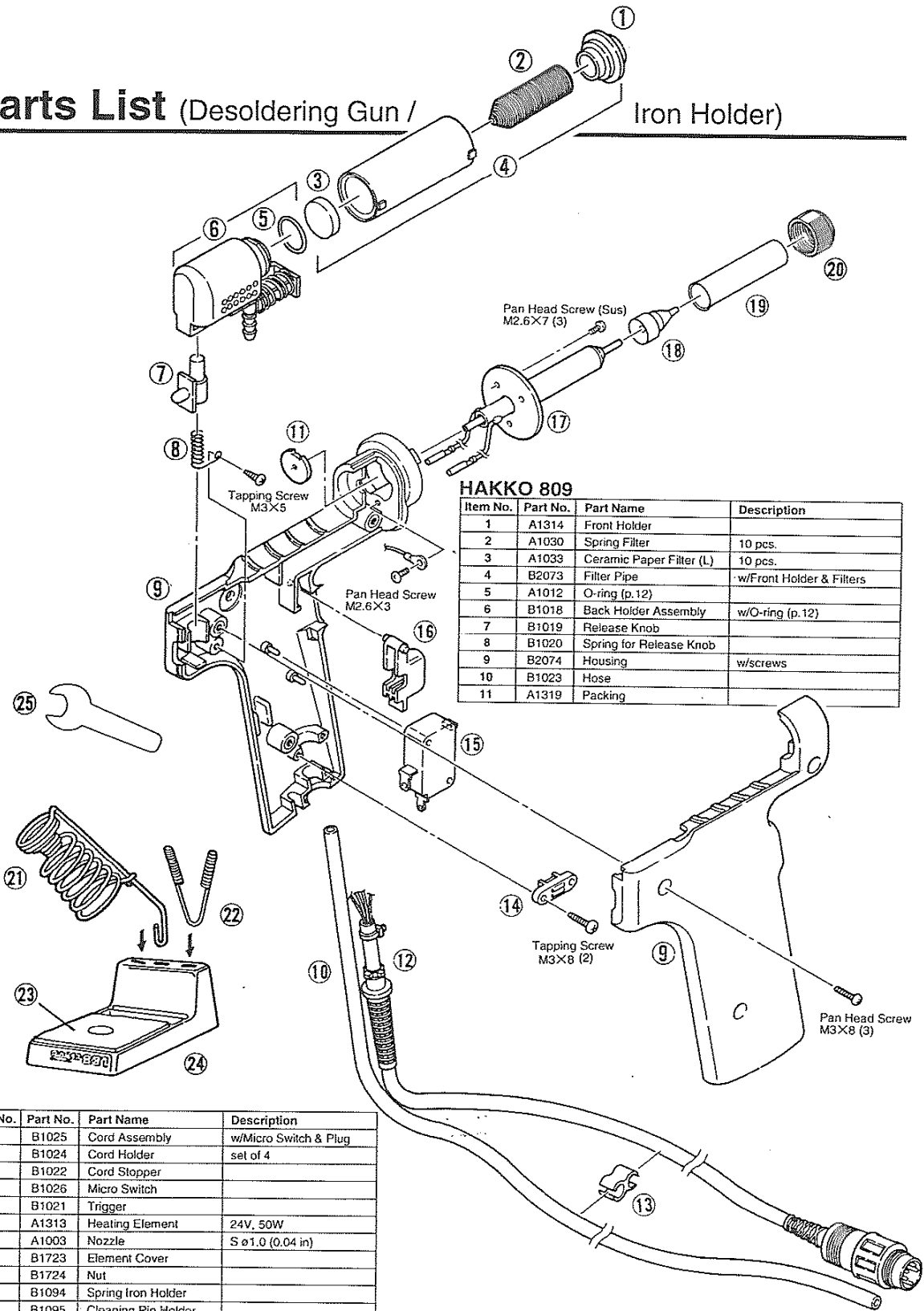
Item No.	Part No.	Part Name	Description
23	B2068	Power Cord	3 Core & American Plug
	B2079	Power Cord	3 Core But No Plug
	B2081	Power Cord	3 Core & Australian Plug
	B2082	Power Cord	3 Core & BS Plug
	B2083	Power Cord	3 Core & European Plug
24	B1053	Balance Weight	
25	B1312	Crank	With bearing
26	B1057	Ring for Bearing	
27	B2060	Crank Shaft	With a screw
28	B2059	Pump Frame	
29	B2058	Motor	
30	B2085	Diaphragm Setting Plate	
31	A1013	Diaphragm	Set of 2 with screws
32	B1056	Fixing Plate	
33	A1014	Valve Plate	Set of 2
34	B1050	Pump Head	With screws
35	B1059	Exhaust Filter	Set of 2
36	B1313	Filter Retaining Pin	
37	B2506	Damper	Set of 2

Item No.	Part No.	Part Name	Description
1	B1029	Vacuum Outlet Cap	
2	A1009	Ceramic Paper Filter (S)	10 pcs.
3	B1063	Filter Retainer	
4	B1034	O-ring (S20)	
5	B1031	Vacuum Outlet Retainer	With O-ring (S20)
6	B1064	Filter Case Joint	
7	B1036	Receptacle (for Desoldering)	

Item No.	Part No.	Part Name	Description
8	B1486	Knob	
9	B1487	Power Switch	100-120V
	B2604	Power Switch	220-240V
10	B2101	Receptacle (for Soldering)	
11	B1084	Switch	
12	B2095	Chassis	
13	B2089	P.W.B. (for Soldering)	

Parts List (Desoldering Gun /

Iron Holder)



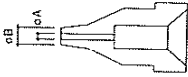
HAKKO 809

Item No.	Part No.	Part Name	Description
1	A1314	Front Holder	
2	A1030	Spring Filter	10 pcs.
3	A1033	Ceramic Paper Filter (L)	10 pcs.
4	B2073	Filter Pipe	w/Front Holder & Filters
5	A1012	O-ring (p.12)	
6	B1018	Back Holder Assembly	w/O-ring (p.12)
7	B1019	Release Knob	
8	B1020	Spring for Release Knob	
9	B2074	Housing	w/screws
10	B1023	Hose	
11	A1319	Packing	

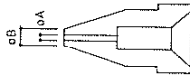
Item No.	Part No.	Part Name	Description
12	B1025	Cord Assembly	w/Micro Switch & Plug
13	B1024	Cord Holder	set of 4
14	B1022	Cord Stopper	
15	B1026	Micro Switch	
16	B1021	Trigger	
17	A1313	Heating Element	24V, 50W
18	A1003	Nozzle	S ø1.0 (0.04 in)
19	B1723	Element Cover	
20	B1724	Nut	
21	B1094	Spring Iron Holder	
22	B1095	Cleaning Pin Holder	
23	A1042	Cleaning Sponge	
24	B1470	Iron Holder Base	
25	B2100	Spanner	

● Replacement Parts

No. A1002, A1003



No. A1004-A1007



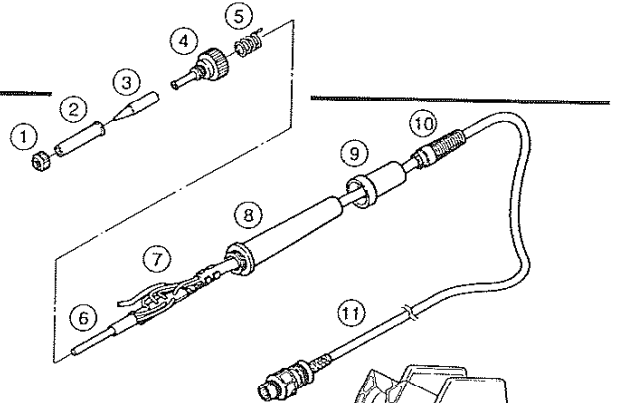
Part No.	Part. Name / Specification	φ A	φ B
A1002	Nozzle S ø0.8 mm (0.03 in.)	0.8 (0.03 in)	1.8 (0.07 in)
A1003	Nozzle S ø1.0 mm (0.04 in.)	1.0 (0.04 in)	2.0 (0.08 in)
A1004	Nozzle ø0.8 mm (0.03 in.)	0.8 (0.03 in)	2.3 (0.09 in)
A1005	Nozzle ø1.0 mm (0.04 in.)	1.0 (0.04 in)	2.5 (0.1 in)
A1006	Nozzle ø1.3 mm (0.05 in.)	1.3 (0.05 in)	3.0 (0.12 in)
A1007	Nozzle ø1.6 mm (0.06 in.)	1.6 (0.06 in)	3.0 (0.12 in)

Part No.	Part. Name / Specification
B1215	Cleaning Pin for Heating Element
B1086	Cleaning Pin for ø0.8 mm (0.03 in) Nozzle
B1087	Cleaning Pin for ø1.0 mm (0.04 in) Nozzle
B1088	Cleaning Pin for ø1.3 mm (0.05 in) Nozzle
B1089	Cleaning Pin for ø1.6 mm (0.06 in) Nozzle
B1302	Cleaning Drill for ø0.8 mm (0.03 in) Nozzle
B1303	Cleaning Drill for ø1.0 mm (0.04 in) Nozzle
B1304	Cleaning Drill for ø1.3 mm (0.05 in) Nozzle
B1305	Cleaning Drill for ø1.6 mm (0.06 in) Nozzle
A1028	Silicone Grease

Parts List (Iron/Iron Holder)

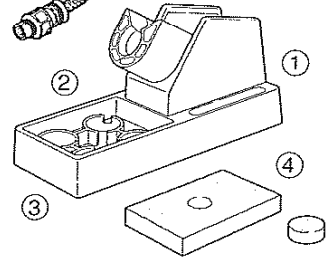
HAKKO 907ESD

Item No.	Part No.	Part Name	Description
1	B1784	Nut	
2	B1786	Tip Enclosure	
3		Soldering Tip	Sec. P. 13
4	B2022	Nipple	
5	B2032	Grounding Spring	
6	A1321	Heating Element	Old part No.900M-H,900L-H
7	B2028	Terminal Board	
8	B2024	Handle	w/Handle Cover, E.S.D.
9	B2027	Handle Cover	
10	B2031	Cord Bushing	
11	B2030	Cord Ass'y	E.S.D.



Iron Holder

Item No.	Part No.	Part Name
1	C1142	Iron Holder
2	B2021	Iron Receptacle
3	B2019	Iron Holder Base
4	A1042	Cleaning Sponge



Specifications

Name	HAKKO 701
Power Consumption	150W

Station

	Station
Output Voltage	24 V ~
Vacuum-Generator	Vacuumpump, double cylinder type
VacuumPressure (Max)	80kpa (600 mm Hg) (24in. Hg)
Suction Flow	15 l/min
Outer Dimensions (W x D x H)	190 x 250 x 130 mm (7.48 x 9.84 x 5.12 in)
Weight	5.0 kg (11.02lbs.)

• Specifications are subject to change without notice.

Soldering Iron

Part Name	HAKKO 907ESD
Part No.	C1144
Power Consumption	24V~ 50W
Temperature Range	200°C~480°C/392°F~896°F
Tip to Ground Resistance	Under 2 Ω
Tip to Ground Potential	Under 2mV (TYP. 0.6mV)
Cord Assembly	1.2m (4 ft.)
Total Length (w/o cord)	190mm (7.5 in.)
Weight (w/o cord)	44g (0.09 lbs.)

Desoldering Gun

Part Name	HAKKO 809
Part No.	C1183
Power Consumption	24V~ 50W
Temperature	380°C ~ 480°C (716°F ~ 896°F)
Nozzle to Ground Resistance	Under 2 Ω
Nozzle to Ground Potential	Under 2mV (TYP. 1.2mV)
Cord/Hose	1.2m (4 ft.)
Outer Dimensions(W×H)	135×174 mm (5.31×6.85 in)
Weight(w/o cord, hose)	Approx. 200g (0.44 lbs.)